



SUPERCOMBINATA SC3 60/2

PORTABLE LINE BORING AND ROTARY WELDING MACHINE

(from Ø 62 mm to Ø 800 mm)

The model **SUPERCOMBINATA SC3 60/2** has a **2300W 4-g geared motor** and its working range is from **Ø 62 mm a Ø 800 mm**. By means of extra accessories the working range can be **increased to Ø 1200 mm or reduced down to Ø 22 mm**.

Furthermore the **SUPERCOMBINATA SC3 60/2** can be equipped with additional accessories to make the following applications:

- **FACING**
- **BORING**
- **MILLING**
- **THREADING**
- **FLANGE FACING**
- **SEEGER CIRCLIPS**

Elsa's range of Line Boring & Rotary Welding Machines are compatible with any MIG/MAG power source with an Euro connection.

EXTRA KITS

Code	Description
Kit for Line Boring	
KEP00594	Ø 22 mm - Ø 50 mm
KEP00593	Ø 32 mm - Ø 100 mm
KEP00688	Ø 42 mm - Ø 140 mm
Kit for Line Boring and Overlay Welding	
KED00366	Ø 800 mm - 1200 mm
Kit allows the end user to Flange Face and create Circlip Grooves	
KES00186	Ø 48 mm - Ø 255 mm
Coupled with a reduction kit 60/40 mm	
KES00200	Ø 56 mm - Ø 400 mm
Coupled with a reduction kit 60/40 mm	
KES00363	Ø 228 mm - Ø 500 mm
KES00364	Ø 376 mm - Ø 800 mm
Kit for Threading	
KFL00927	Ø 120 mm - Ø 350 mm

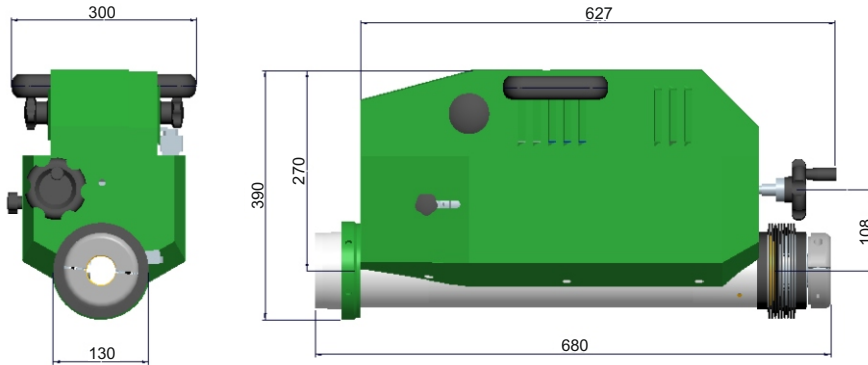
ACCESSORIES

Code	Description
AE000441	JOINT FOR BORING BAR (A) Ø 60 mm
AE000442	JOINT FOR BORING BAR (B) Ø 60 mm
AE003014	BORING BAR Ø 60 X 3000 mm
AE030025	BORING BAR Ø 60 X 1100 mm WITH MORSE 4 TAPPER
AE000443	MORSE 4 TAPPER
SG00122	TOOL HOLDER RIGHT Ø 12x60 mm
SG00102	TOOL HOLDER LEFT Ø 12x100 mm
SG00127	TERMINAL LAUNCH min. Ø30 mm max. Ø50 mm
COT90201	LONG CONTACT TIP Ø 1,0 mm
COT90202	SHORT CONTACT TIP Ø 1,0 mm

SUPERCOMBINATA SC3 60/2

PORTABLE LINE BORING AND ROTARY WELDING MACHINE

(from Ø 62 mm to Ø 800 mm)



- Geared transmission
- Permanent lubrication
- Synchronous feed & rotation motion enables a smoother rotary welding mode
- Conical supports
- Telescopic welding torch
- 110 V power supply also available on request

TECHNICAL DATA SHEET

Diameters:

BORING BAR DIAMETER	mm Ø 60
BORING BAR LENGTH	mm 2200
IN LINE BORING	mm Ø 62 - Ø 800
EXTERNAL BORING	Kit optional
INTERNAL WELDING	mm Ø 42 - Ø 800
EXTERNAL WELDING	mm Ø 42 - Ø 800
DRILLING	Kit optional
TAPPING	Kit optional
THREADING	Kit optional
FACING	Kit optional

Rotation Motor

AC Motor single phase				
Power at rated speed 2300 W				
Output torque at the bar 902 Nm with 55 rpm				
Speed:	1° speed	2° speed	3° speed	4° speed
	55 rpm	82 rpm	220 rpm	370 rpm
Output torque:	450	300	100	70

Feed Motor

DC Motor	
Power at rated speed 90 W	
Max. Speed 11 rpm	
Electromechanical feed system	
Manual/Automatic feed	

Welding technology

Spiral (continuous with variable step)
--

Longitudinal stroke

Unlimited with steps of 350 mm

Electronic control panel

Voltage - 220 V 50/60 Hz
Main switch
Emergency switch
Inverter cw/cww feed
Inverter cw/cww rotation
Potentiometer adjustment rotation rpm
Potentiometer adjustment feed rpm
Electrical absorption 2300 W

Dimensions

Length: 680 mm
Width: 300 mm
Height: 390 mm
Weight central unit: 45 kg

STANDARD EQUIPMENT

N° 1	MAIN UNIT
N° 1	ELECTRONIC CONTROL PANEL
N° 1	BORING BAR Ø 60 X 2200 mm
N° 1	BORING BAR EXTENSION 520 mm
N° 1	TELESCOPIC WELDING TORCH
N° 1	LANCE FOR EXTERNAL WELDING
N° 5	DIFFUSER EXTENSION 100 mm
N° 5	LANCE EXTENSION 35 mm
N° 4	LONG NOZZLE
N° 4	SHORT NOZZLE
N° 5	LONG CONTACT TIP Ø 0,8 mm
N° 5	SHORT CONTACT TIP Ø 0,8 mm
N° 1	ADJUSTING PLUG FOR TOOL HOLDER
N° 1	BOX WITH 10 CUTTING EDGES
N° 1	TOOL HOLDER RIGHT Ø 12X100 mm
N° 1	TOOL HOLDER LEFT Ø 12X60 mm
N° 1	TOOL HOLDER LEFT Ø 12X60 mm
N° 1	TOOL HOLDER RING FOR WORKS FROM Ø 250 TO 800 mm
N° 1	TOOL HOLDER FOR BORING FROM Ø 120 TO 250 mm
N° 2	MAIN BAR SUPPORT
N° 2	ADDITIONAL SUPPORT
N° 1	CENTRING KIT FROM Ø 250 TO 800 mm
N° 1	SPINDLE CENTRING KIT
N° 1	SPINDLE CENTRING KIT FOR BLIND HOLES
N° 1	DIAL GAUGE
N° 1	DIAL GAUGE SUPPORT
N° 1	TELESCOPING GAUGE Ø 12 mm
N° 18	BRACKET FOR FLANGES A
N° 18	BRACKET FOR FLANGES B
N° 4	FLANGES SUPPORT FROM Ø 250 TO 800 mm
N° 1	REDUCTION BUSHING DRAWING TORCH
N° 1	REDUCTION BUSHING LOCKING TORCH
N° 18	HEXAGONAL BOLT M14X80 mm
N° 54	ALLEN BOLT M14X50 mm
N° 18	HEXAGONAL NUT M14
N° 1	CABLE CONTROL PANEL/MACHINE
N° 1	POWER CABLE 220V/CONTROL PANEL
N° 1	BORING MACHINE STAND
N° 1	COMPLETE SET OF WRENCHES