



## SUPERCOMBINATA SC2 60/1

### PORTABLE LINE BORING AND ROTARY WELDING MACHINE

(from Ø 62 mm to Ø 600 mm)

The model **SUPERCOMBINATA SC2 60/1** has a 1800W - 4 geared motor and its working range is from **Ø 62 mm** to **Ø 600 mm**. By means of extra accessories the working range can be increased to **Ø 800 mm** or reduced down to **Ø 22 mm**.

Furthermore the **SUPERCOMBINATA SC2 60/1** can be equipped with additional accessories to make the following applications:

- FACING
- BORING
- MILLING
- THREADING
- FLANGE FACING
- SEEGER CIRCLIPS

Elsa's range of Line Boring & Rotary Welding Machines are compatible with any MIG/MAG power source with an Euro connection.

#### EXTRA KITS

| Code   | Description         |
|--|---------------------|
| <b>Kit for Line Boring</b>   |                     |
| KEP00594   | Ø 22 mm - Ø 50 mm   |
| KEP00593   | Ø 32 mm - Ø 100 mm  |
| KEP00688   | Ø 42 mm - Ø 140 mm  |
| <b>Kit for Line Boring and Overlay Welding</b>                           |                     |
| KED00360   | Ø 600 mm - 800 mm   |
| <b>Kit allows the end user to Flange Face and create Circlip Grooves</b> |                     |
| KES00186   | Ø 48 mm - Ø 255 mm  |
| Coupled with a reduction kit 60/40 mm                                    |                     |
| KES00200   | Ø 56 mm - Ø 400 mm  |
| Coupled with a reduction kit 60/40 mm                                    |                     |
| KES00363   | Ø 228 mm - Ø 500 mm |
| <b>Kit for Threading</b>   |                     |
| KFL00927   | Ø 120 mm - Ø 350 mm |

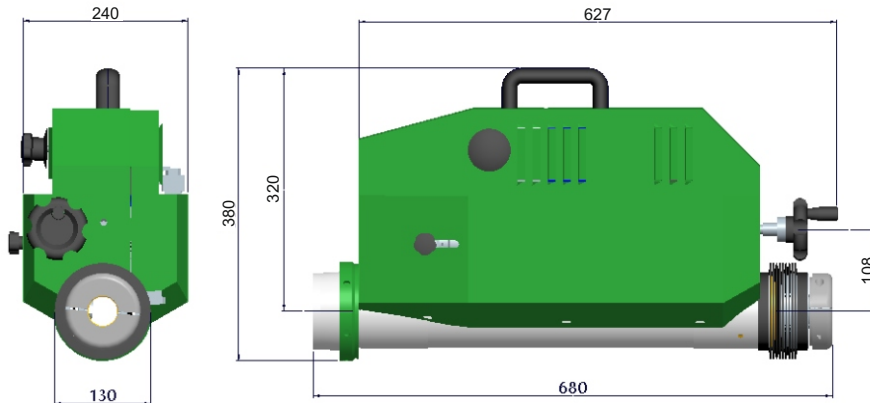
#### ACCESSORIES

| Code     | Description                                      |
|----------|--|
| AE000441 | JOINT FOR BORING BAR (A) Ø 60 mm                 |
| AE000442 | JOINT FOR BORING BAR (B) Ø 60 mm                 |
| AE003014 | BORING BAR Ø 60 X 3000 mm                        |
| AE030025 | BORING BAR Ø 60 X 1100 mm<br>WITH MORSE 4 TAPPER |
| AE000443 | MORSE 4 TAPPER                                   |
| SG00122  | TOOL HOLDER RIGHT Ø 12x60 mm                     |
| SG00102  | TOOL HOLDER LEFT Ø 12x100 mm                     |
| SG00127  | TERMINAL LAUNCH min. Ø30 mm max. Ø50 mm          |
| COT90201 | LONG CONTACT TIP Ø 1,0 mm                        |
| COT90202 | SHORT CONTACT TIP Ø 1,0 mm                       |

# SUPERCOMBINATA SC2 60/1

PORTABLE LINE BORING AND ROTARY WELDING MACHINE

(from Ø 62 mm to Ø 600 mm)



- Geared transmission
- Permanent lubrication
- Synchronous feed & rotation motion enables a smoother rotary welding mode
- Conical supports
- Telescopic welding torch
- 110 V power supply also available on request

## TECHNICAL DATA SHEET

### Diameters:

|                     |                 |
|---------------------|-----------------|
| BORING BAR DIAMETER | mm Ø 60         |
| BORING BAR LENGTH   | mm 2200         |
| IN LINE BORING      | mm Ø 62 - Ø 600 |
| EXTERNAL BORING     | Kit optional    |
| INTERNAL WELDING    | mm Ø 42 - Ø 600 |
| EXTERNAL WELDING    | mm Ø 42 - Ø 600 |
| DRILLING            | Kit optional    |
| TAPPING             | Kit optional    |
| THREADING           | Kit optional    |
| FACING              | Kit optional    |

### Rotation Motor

|   |          |          |          |          |
|---|----------|----------|----------|----------|
| AC Motor single phase                   |          |          |          |          |
| Power at rated speed 1800 W             |          |          |          |          |
| Output torque at the bar 520 Nm with 65 |          |          |          |          |
| Speed:                                  | 1° speed | 2° speed | 3° speed | 4° speed |
|   | 65 rpm   | 110 rpm  | 230 rpm  | 360 rpm  |
| Output torque:                          | 200      | 120      | 65       | 40       |

### Feed Motor

|                               |
|-------------------------------|
| DC Motor                      |
| Power at rated speed 90 W     |
| Max. Speed 11 rpm             |
| Electromechanical feed system |
| Manual/Automatic feed         |

### Welding technology

|  |
|--|
| Spiral (continuous with variable step) |
|--|

### Longitudinal stroke

|                                |
|--------------------------------|
| Unlimited with steps of 350 mm |
|--------------------------------|

### Electronic control panel

|                                       |
|---------------------------------------|
| Voltage - 220 V 50/60 Hz              |
| Main switch                           |
| Emergency switch                      |
| Inverter cw/cww feed                  |
| Inverter cw/cww rotation              |
| Potentiometer adjustment rotation rpm |
| Potentiometer adjustment feed rpm     |
| Electrical absorption 2000 W          |

### Dimensions

|                            |
|----------------------------|
| Length: 680 mm             |
| Width: 240 mm              |
| Height: 380 mm             |
| Weight central unit: 42 kg |

## STANDARD EQUIPMENT

|       |   |
|-------|---|
| N° 1  | MAIN UNIT                                       |
| N° 1  | ELECTRONIC CONTROL PANEL                        |
| N° 1  | BORING BAR Ø 60 X 2200 mm                       |
| N° 1  | BORING BAR EXTENSION 520 mm                     |
| N° 1  | TELESCOPIC WELDING TORCH                        |
| N° 1  | LANCE FOR EXTERNAL WELDING                      |
| N° 3  | DIFFUSER EXTENSION 100 mm                       |
| N° 5  | LANCE EXTENSION 35 mm                           |
| N° 4  | LONG NOZZLE                                     |
| N° 4  | SHORT NOZZLE                                    |
| N° 5  | LONG CONTACT TIP Ø 0,8 mm                       |
| N° 5  | SHORT CONTACT TIP Ø 0,8 mm                      |
| N° 1  | ADJUSTING PLUG FOR TOOL HOLDER                  |
| N° 1  | BOX WITH 10 CUTTING EDGES                       |
| N° 1  | TOOL HOLDER RIGHT Ø 12X100 mm                   |
| N° 1  | TOOL HOLDER LEFT Ø 12X60 mm                     |
| N° 1  | TOOL HOLDER LEFT Ø 12X60 mm                     |
| N° 1  | TOOL HOLDER RING FOR WORKS FROM Ø 250 TO 600 mm |
| N° 1  | TOOL HOLDER FOR BORING FROM Ø 120 TO 250 mm     |
| N° 2  | MAIN BAR SUPPORT                                |
| N° 2  | ADDITIONAL SUPPORT                              |
| N° 1  | CENTRING KIT FROM Ø 250 TO 600 mm               |
| N° 1  | SPINDLE CENTRING KIT                            |
| N° 1  | SPINDLE CENTRING KIT FOR BLIND HOLES            |
| N° 1  | DIAL GAUGE                                      |
| N° 1  | DIAL GAUGE SUPPORT                              |
| N° 1  | TELESCOPING GAUGE Ø 12 mm                       |
| N° 18 | BRACKET FOR FLANGES                             |
| N° 4  | FLANGES SUPPORT FROM Ø 250 TO 600 mm            |
| N° 1  | REDUCTION BUSHING DRAWING TORCH                 |
| N° 1  | REDUCTION BUSHING LOCKING TORCH                 |
| N° 18 | HEXAGONAL BOLT M14X80 mm                        |
| N° 36 | ALLEN BOLT M14X50 mm                            |
| N° 18 | HEXAGONAL NUT M14                               |
| N° 1  | CABLE CONTROL PANEL/MACHINE                     |
| N° 1  | POWER CABLE 220V/CONTROL PANEL                  |
| N° 1  | BORING MACHINE STAND                            |
| N° 1  | COMPLETE SET OF WRENCHES                        |