



## SUPERCOMBINATA SC1 40/1 Compact

### PORTABLE LINE BORING AND ROTARY WELDING MACHINE

(from Ø 42 mm to Ø 250 mm)

The model **SUPERCOMBINATA SC1 40/1 Compact** equipped with a **1800W 2-g geared motor** is suitable to perform jobs from **Ø 42 mm to Ø 250 mm** and by means of extra equipment the diameter range can be **reduced down to Ø 22 mm**. This model is different from the others by its compactness and lightness. Feed is endless by steps of 250 mm.

The **SUPERCOMBINATA SC1 40/1 Compact** can be equipped with additional accessories to make the following applications:

- FACING
- BORING
- MILLING
- THREADING
- FLANGE FACING
- SEEGER CIRCLIPS

Elsa's range of Line Boring & Rotary Welding Machines have all the necessary equipment to be used immediately on site and they are compatible with any MIG/MAG power source with an Euro connection.

#### EXTRA KITS

Code	Description
<b>Kit for Line Boring</b>	
KEP00187	Ø 22 mm - Ø 50 mm
KEP00188	Ø 32 mm - Ø 100 mm
<b>Kit allows the end user to Flange Face and create Circlip Grooves</b>	
KES00186	Ø 48 mm - Ø 255 mm
<b>Kit for Threading</b>	
KFL00928	Ø 120 mm - Ø 350 mm

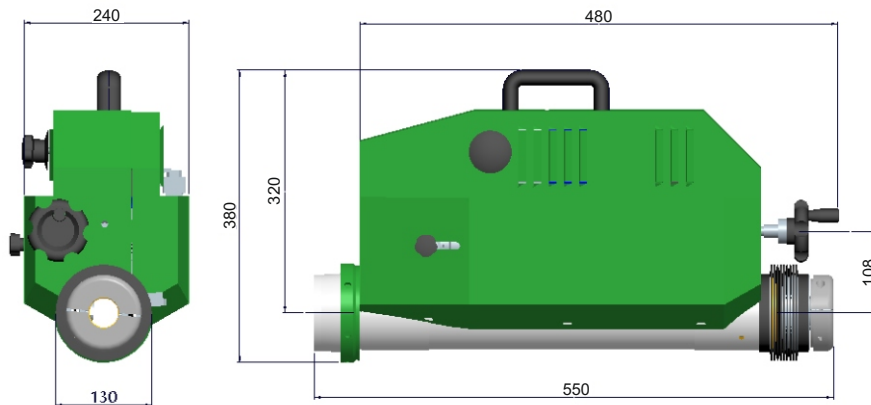
#### ACCESSORIES

Code	Description
AE000487	JOINT FOR BORING BAR (A) Ø 40 mm
AE000448	JOINT FOR BORING BAR (B) Ø 40 mm
AE030015	SISTEMA CAM
AE003017	BORING BAR Ø 40 X 3000 mm
SG00123	TOOL HOLDER RIGHT Ø 12x40 mm
SG00102	TOOL HOLDER LEFT Ø 12x100 mm
SG00127	TERMINAL LAUNCH min. Ø30 mm max. Ø50 mm
COT90201	LONG CONTACT TIP Ø 1,0 mm
COT90202	SHORT CONTACT TIP Ø 1,0 mm

# SUPERCOMBINATA SC1 40/1 Compact

## PORTABLE LINE BORING AND ROTARY WELDING MACHINE

(from Ø 42 mm to Ø 250 mm)



- Geared transmission
- Permanent lubrication
- Synchronous feed & rotation motion enables a smoother rotary welding mode
- Conical supports
- Telescopic welding torch
- 110 V power supply also available on request

### TECHNICAL DATA SHEET

#### Diameters:

BORING BAR DIAMETER	mm Ø 40
BORING BAR LENGTH	mm 2200
IN LINE BORING	mm Ø 42 - Ø 250
EXTERNAL BORING	Kit optional
INTERNAL WELDING	mm Ø 42 - Ø 250
EXTERNAL WELDING	mm Ø 42 - Ø 250
DRILLING	mm Ø 10 - Ø 45
TAPPING	mm Ø 10 - Ø 45
THREADING	Kit optional
FACING	Kit optional

#### Rotation Motor

AC Motor single phase  
 Power at rated speed 1800 W  
 Output torque at the bar 290 Nm with 120 rpm

Speed:	1° speed	2° speed
	120 rpm	400 rpm
Output torque:	145	45

#### Feed Motor

DC Motor  
 Power at rated speed 90 W  
 Max. Speed 11 rpm  
 Electromechanical feed system  
 Manual/Automatic feed

#### Welding technology

Spiral (continuous with variable step)

#### Longitudinal stroke

Unlimited with steps of 250 mm

#### Electronic control panel

Voltage - 220 V 50/60 Hz  
 Main switch  
 Emergency switch  
 Inverter cw/cww feed  
 Inverter cw/cww rotation  
 Potentiometer adjustment rotation rpm  
 Potentiometer adjustment feed rpm  
 Electrical absorption 2000 W

#### Dimensions

Length: 550 mm  
 Width: 240 mm  
 Height: 380 mm  
 Weight central unit: 37 kg

### STANDARD EQUIPMENT

N° 1	MAIN UNIT
N° 1	ELECTRONIC CONTROL PANEL
N° 1	BORING BAR Ø 40 X 2200 mm
N° 1	BORING BAR Ø 40 X 1100 mm
N° 1	BORING BAR EXTENSION 450 mm
N° 1	TELESCOPIC WELDING TORCH
N° 1	LANCE FOR EXTERNAL WELDING
N° 5	LANCE EXTENSION 35 mm
N° 4	LONG NOZZLE
N° 4	SHORT NOZZLE
N° 5	LONG CONTACT TIP Ø 0,8 mm
N° 5	SHORT CONTACT TIP Ø 0,8 mm
N° 1	BOX WITH 10 CUTTING EDGES
N° 1	TOOL HOLDER RIGHT Ø 12x100 mm
N° 1	TOOL HOLDER LEFT Ø 12x60 mm
N° 1	SPECIAL TOOL HOLDER LEFT Ø 12x40 mm
N° 1	TOOL HOLDER FOR BORING FROM Ø 100 TO 250 mm
N° 2	MAIN BAR SUPPORT
N° 2	ADDITIONAL SUPPORT
N° 1	SPINDLE CENTRING KIT
N° 1	SPINDLE CENTRING KIT FOR BLIND HOLES
N° 1	DIAL GAUGE
N° 1	DIAL GAUGE SUPPORT
N° 1	TELESCOPING GAUGE Ø 12 mm
N° 1	CABLE CONTROL PANEL/MACHINE
N° 1	POWER CABLE 220V/CONTROL PANEL
N° 1	BORING MACHINE STAND
N° 1	COMPLETE SET OF WRENCHES